

1 2 3 4 5 6 7 8 9 10 11 12 13 14 15 16 17 18 19 20 21 22 23 24 25 26 27 28 29 30

100

99

98

97

96

95

94

93

92

91

90

89

88

87

86

85

84

83

82

81

80

31

32

33

34

35

36

37

38

39

40

41

42

43

44

45

46

47

48

49

50

51

52

53

Place value

10s, 1s, 0.1s and 0.01s

0.01 0.02 0.03 0.04 0.05 0.06 0.07 0.08 0.09

0.1 0.2 0.3 0.4 0.5 0.6 0.7 0.8 0.9

1 2 3 4 5 6 7 8 9

10 20 30 40 50 60 70 80 90

80 79 78 77 76 75 74 73 72 71 70 69 68 67 66 65 64 63 62 61 60 59 58 57 56 55 54 53 52 51

Place value grid

100s	10s	1s	● 0.1s	$\frac{1}{10}$ s	0.01s	$\frac{1}{100}$ s

Place value

Complete the following number sentences:

$$2 + 0.3 + 0.05 = \boxed{}$$

$$2 + 0.2 + 0.07 = \boxed{}$$

$$5 + 0.5 + 0.08 = \boxed{}$$

$$8 + 0.4 + \boxed{} = 8.49$$

$$3 + 0.7 + \boxed{} = 3.75$$

$$3 + \boxed{} + 0.08 = 3.78$$

$$1 + \boxed{} + 0.09 = 1.59$$

$$2 + \boxed{} + 0.05 = 2.25$$

$$5 + \boxed{} = 5.03$$

$$\boxed{} + 0.05 = 2.05$$

Now make up your own number sentence to include the number 3.95.

Place value

Complete the following number sentences:

$2 + 0.3 + 0.05 =$

$2 + 0.2 + 0.07 =$

$5 + 0.5 + 0.07 =$

$8 + 0.4 + 0.09 =$

$3 + 0.7 + 0.08 =$

$3 +$ $+ 0.05 = 3.75$

$1 + 0.5 + 0.09 =$

$2 + 0.2 + 0.05 =$

$5 + 0.03 =$

$+ 0.05 = 2.05$

Now make up your own number sentence to include the number 3.95.

Place value

Complete the following number sentences:

$$2 + 0.3 + 0.05 = \boxed{}$$

$$2 + \boxed{} + 0.05 = 2.25$$

$$2 + 0.2 + \boxed{} = 2.27$$

$$8 + \boxed{} + \boxed{} = 8.49$$

$$5 + 0.5 + \boxed{} = 5.57$$

$$3 + \boxed{} + \boxed{} = 3.75$$

$$3 + \boxed{} + 0.08 = 3.78$$

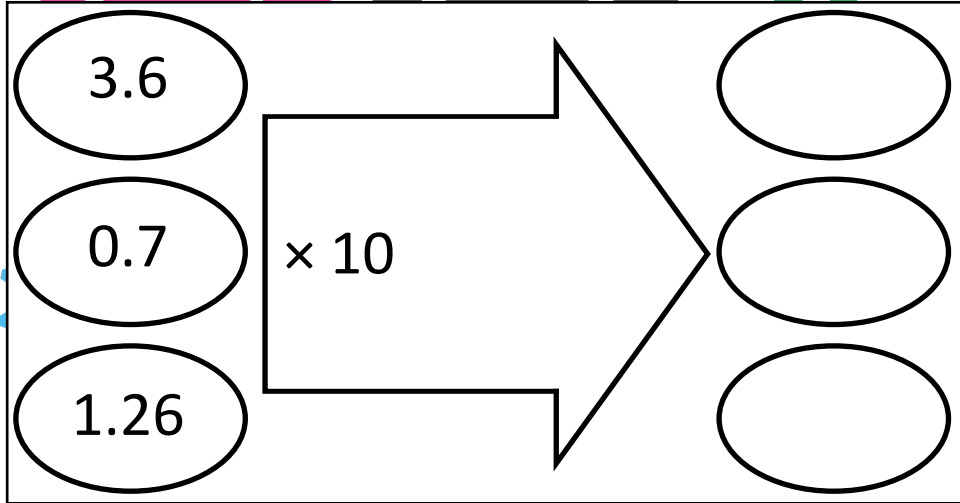
$$5 + \boxed{} = 5.03$$

$$1 + \boxed{} + 0.09 = 1.59$$

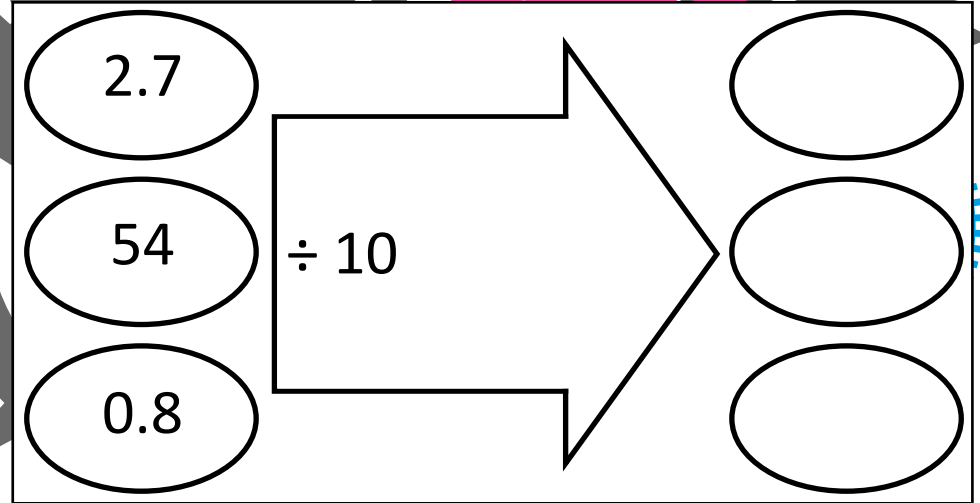
$$\boxed{} + 0.05 = 2.05$$

Now make up your own number sentence to include the number 3.95.

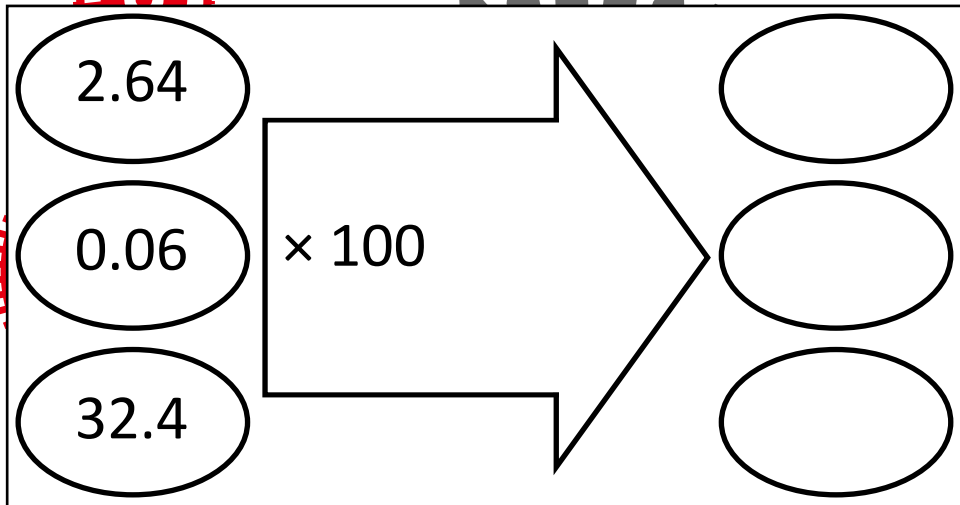
Function Machines



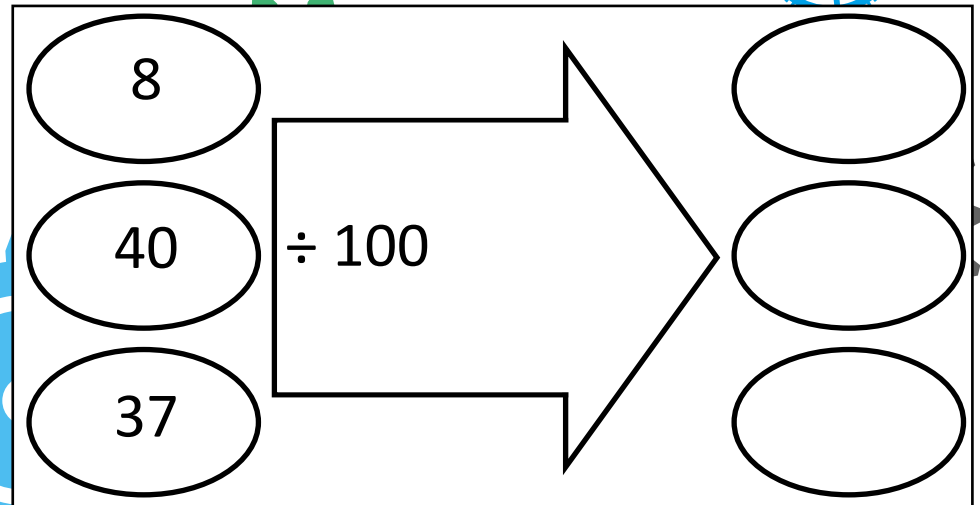
A function machine with a large arrow pointing right. Inside the arrow is the text $\times 10$. On the left side, there are three ovals containing the numbers 3.6, 0.7, and 1.26. On the right side, there are three empty ovals for the output.



A function machine with a large arrow pointing right. Inside the arrow is the text $\div 10$. On the left side, there are three ovals containing the numbers 2.7, 54, and 0.8. On the right side, there are three empty ovals for the output.

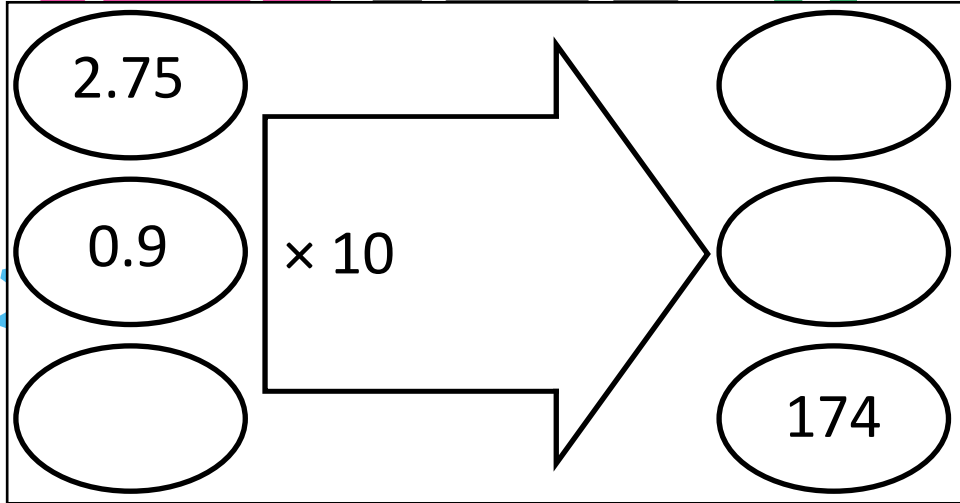


A function machine with a large arrow pointing right. Inside the arrow is the text $\times 100$. On the left side, there are three ovals containing the numbers 2.64, 0.06, and 32.4. On the right side, there are three empty ovals for the output.

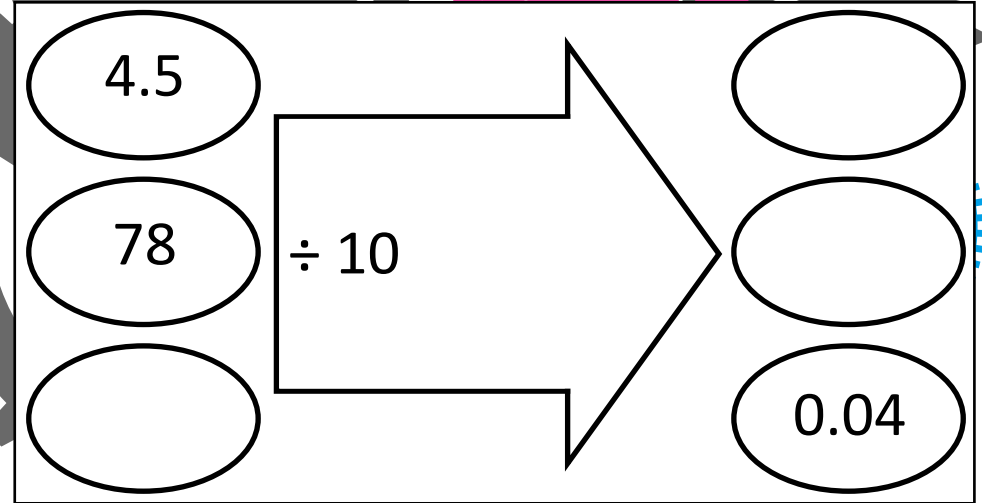


A function machine with a large arrow pointing right. Inside the arrow is the text $\div 100$. On the left side, there are three ovals containing the numbers 8, 40, and 37. On the right side, there are three empty ovals for the output.

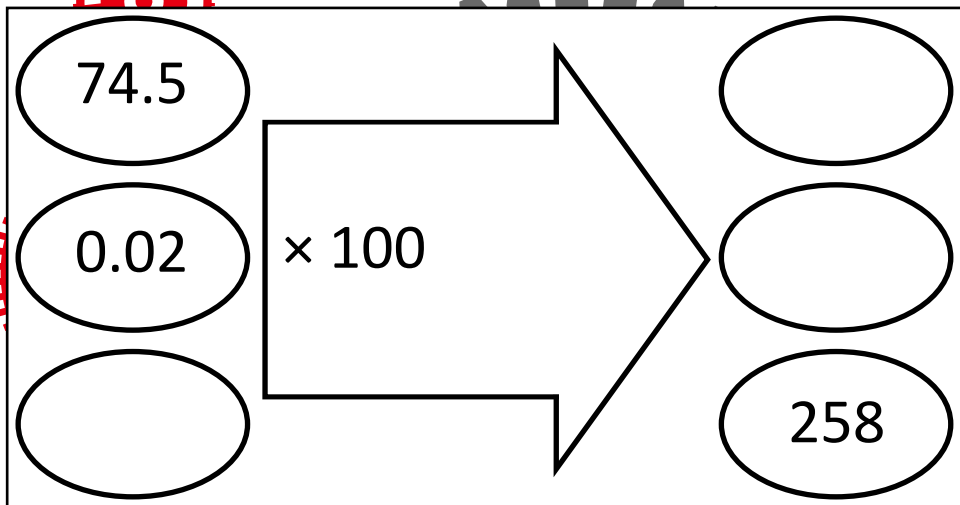
Function Machines



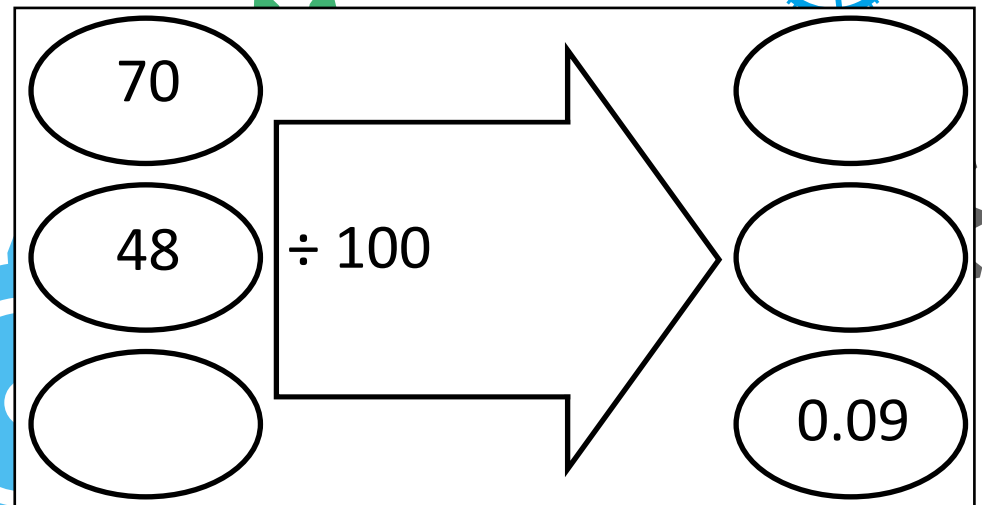
A function machine diagram with a large right-pointing arrow in the center. The operation $\times 10$ is written to the left of the arrow. On the left side, there are three ovals: the top one contains 2.75, the middle one contains 0.9, and the bottom one is empty. On the right side, there are three ovals: the top one is empty, the middle one is empty, and the bottom one contains 174. The background features several interlocking gears in pink, grey, and green.



A function machine diagram with a large right-pointing arrow in the center. The operation $\div 10$ is written to the left of the arrow. On the left side, there are three ovals: the top one contains 4.5, the middle one contains 78, and the bottom one is empty. On the right side, there are three ovals: the top one is empty, the middle one is empty, and the bottom one contains 0.04. The background features several interlocking gears in grey, pink, and blue.

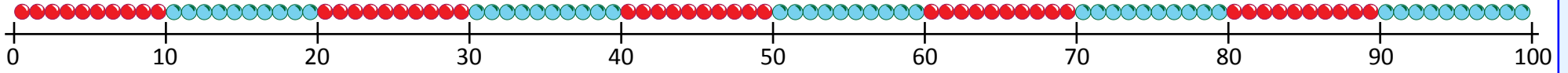


A function machine diagram with a large right-pointing arrow in the center. The operation $\times 100$ is written to the left of the arrow. On the left side, there are three ovals: the top one contains 74.5, the middle one contains 0.02, and the bottom one is empty. On the right side, there are three ovals: the top one is empty, the middle one is empty, and the bottom one contains 258. The background features several interlocking gears in red, grey, and blue.



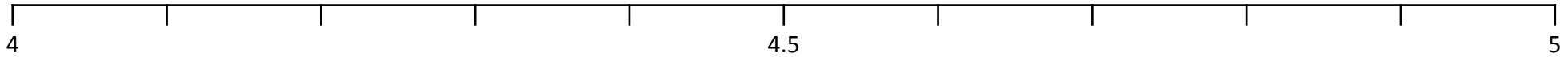
A function machine diagram with a large right-pointing arrow in the center. The operation $\div 100$ is written to the left of the arrow. On the left side, there are three ovals: the top one contains 70, the middle one contains 48, and the bottom one is empty. On the right side, there are three ovals: the top one is empty, the middle one is empty, and the bottom one contains 0.09. The background features several interlocking gears in blue, green, and pink.

Beaded line

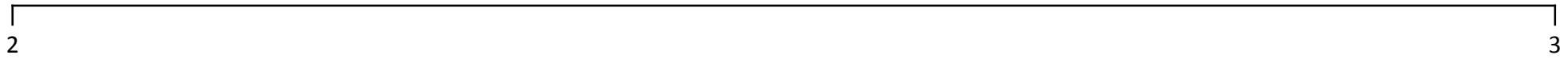


Ordering decimals

Draw on a number between 4.5 and 4.6 on this line, a number between 4.2 and 4.3 and a number between 4.8 and 4.9.



Mark 2.4, 2.8, 2.25, 2.49 and 2.75 on this number line.



Mark 5.45, 5.79 and 5.43 on this number line.

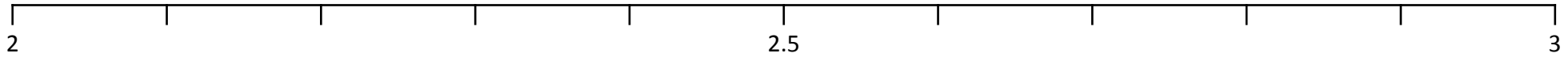


Write these numbers in order from the smallest to the largest:

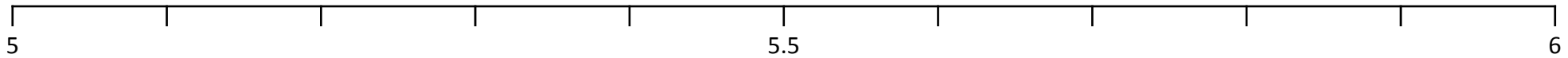
1.9, 2.6, 1.45, 2.79, 0.5, 1.85, 0.99, 1.15.

Ordering decimals

Mark 2.4, 2.8, 2.25, 2.49 and 2.75 on this number line.

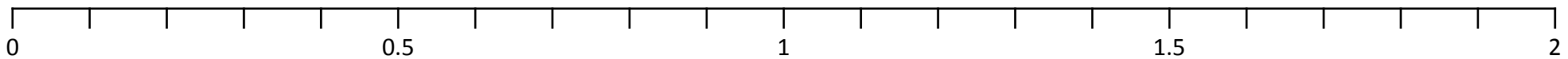


Mark 5.3, 5.45 and 5.99 on this number line.



Use this number line to help you to order the following numbers from smallest to largest:

1.9, 0.6, 1.45, 1.79, 0.5, 1.85, 0.99, 1.15.



Convert time

Convert times from minutes to seconds

3 minutes	10 minutes	9 minutes
1½ minutes	30 minutes	5 minutes
1minute 45 seconds	2 minutes 15 seconds	8 minutes 10 seconds

Convert times from minutes to hours

60 minutes	120 minutes	300 minutes
30 minutes	45 minutes	15 minutes
90 minutes	75 minutes	180 minutes

On board practice

1. £24.32 + £14.63

2. £34.25 + £27.43

3. £41.48 + £35.26

4. £24.19 + £17.26

5. £46.25 + £23.94

6. £34.83 + £24.52

7. £64.50 + £23.75

8. £51.90 + £44.69

9. £27.58 + £24.80

10. £24.78 + £14.65

11. £38.60 + £27.45

12. £35.78 + £25.45

13. £12.45 + £23.59 + £15.27

14. £24.67 + £14.25 + £16.45

15. £15.79 + £23.45 + £9.85

Under £50

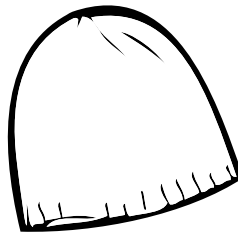
Find as many pairs of items with a total price of under £50.
How many can you find?



£23.49



£12.56



£11.89



£18.25

£36.75

